

ASSEMBLY GUIDE

AG-30 Micro Grande Digital Piano



EASY ASSEMBLY GUIDE

IF YOU HAVE ANY QUESTIONS OR PROBLEMS
PLEASE CALL OUR TOLL FREE HELPLINE

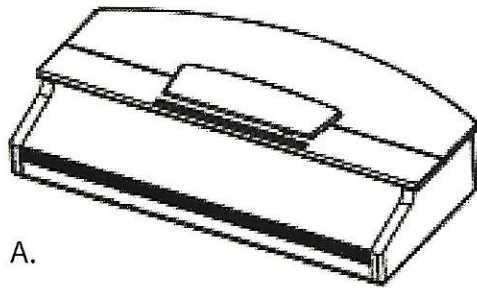
888-998-9848

DO NOT RETURN TO THE STORE

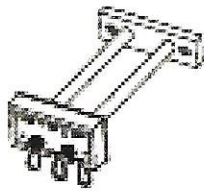
artesia

Unboxing Your Piano

What's Included



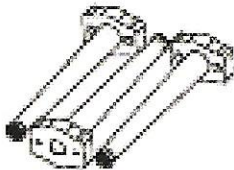
A.



B.



C.



D.



E.



F.



G.



H.



I.

A. Piano Body

B. Lyre

C. Lyre Support Rods x 2

D. Legs x 3

E. Leg and Lyre bolts

F. Lyre Support Rod Screws x 8

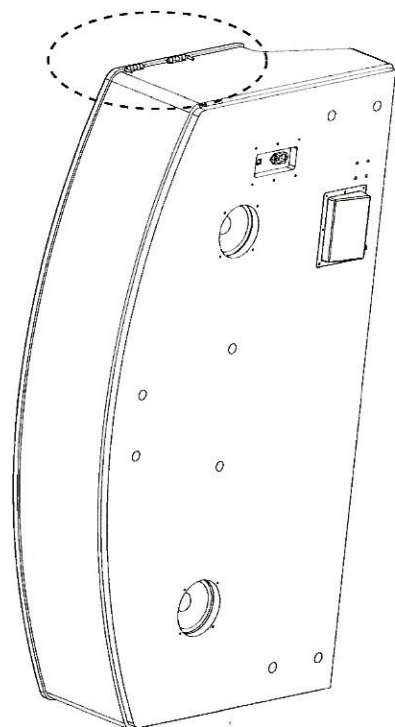
G. Wrench

H. Screwdriver

I. Washers x 8

Not pictured:

Thumb Drive/Song Library,
Documentation, Bluetooth Receiver,
USB Cable Audio Connection Cable,
Cable Clamps Headphone Holder,
AC Power Cord



Piano Assembly

1. Begin assembly by placing the main unit on its side on a padded or carpeted surface. Be sure to place the hinged side of the lid up as shown.

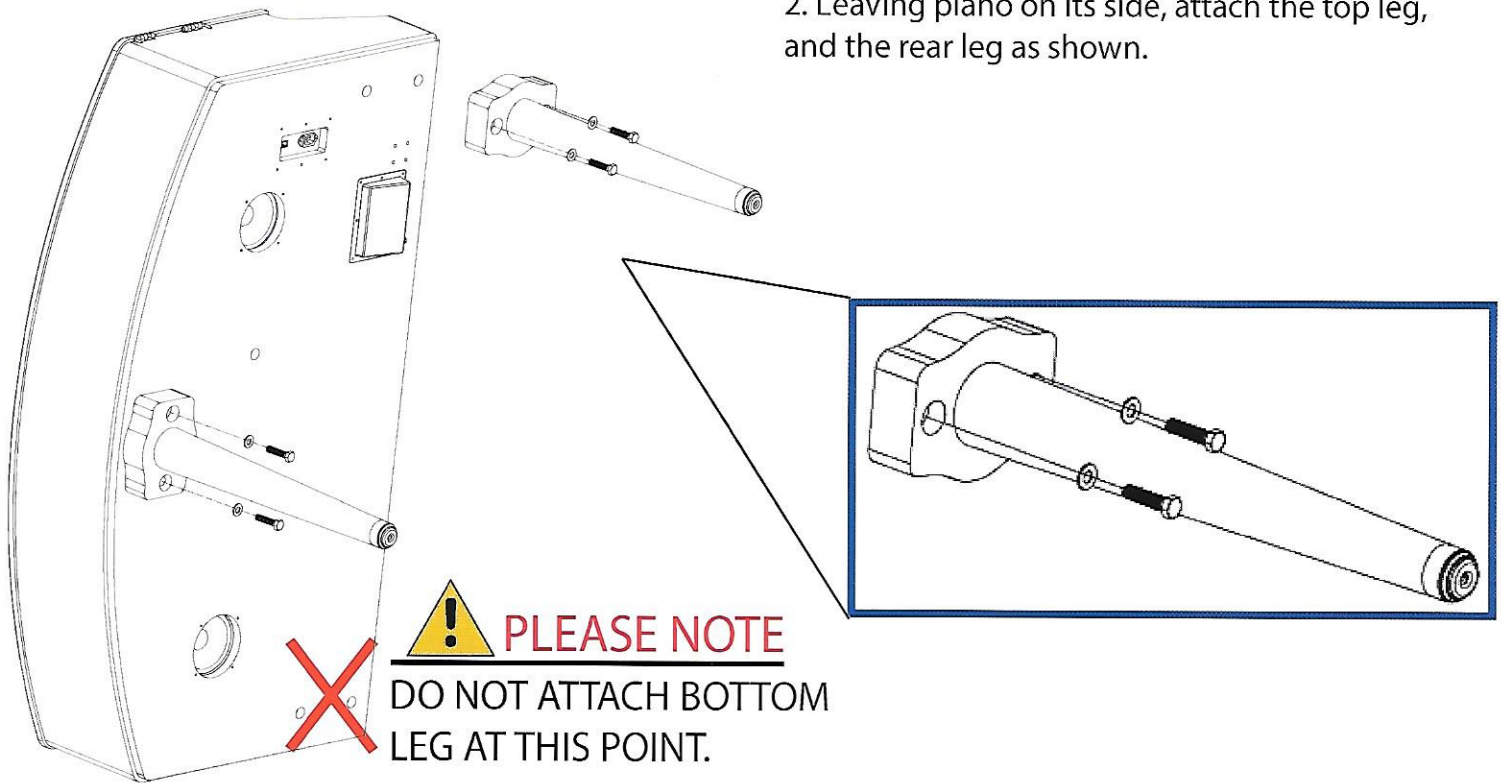


PLEASE NOTE

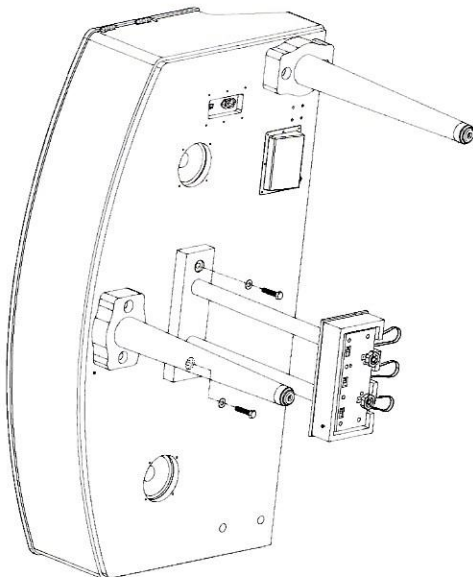
DO NOT ATTEMPT TO ASSEMBLE UNIT WITHOUT HELP. 2 OR MORE PERSONS REQUIRED FOR ASSEMBLY.

Piano Assembly Continued

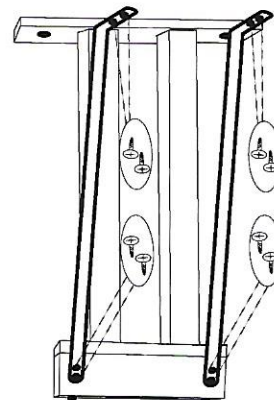
2. Leaving piano on its side, attach the top leg, and the rear leg as shown.



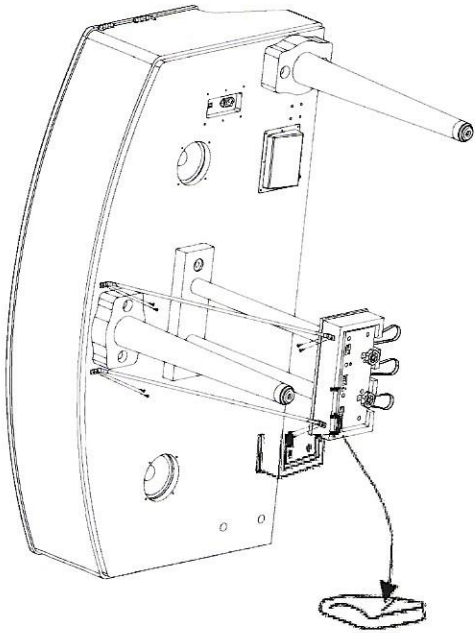
3. Attach the lyre and the legs using the lyre and leg bolts.



3. Attach Lyre supports to the lyre and piano body as shown. Use two lyre screws at each point shown.



Piano Assembly Continued

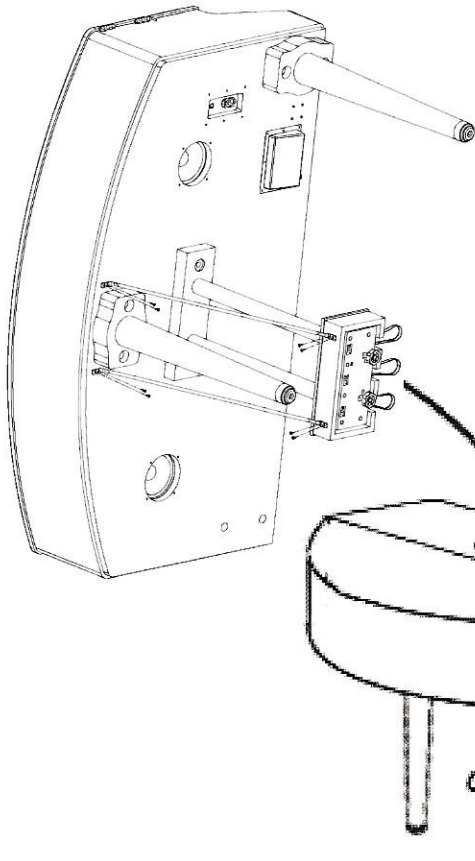


4. Position a pillow or thick blanket so that the lyre assembly will rest upon it when the piano is turned upright



PLEASE NOTE

At least 2-3 people are needed to complete the assembly.
DO NOT CONTINUE WITHOUT HELP.



5. With the lyre, top leg, and rear leg firmly secured, lift and rotate the piano in a tipping motion to the upright position.

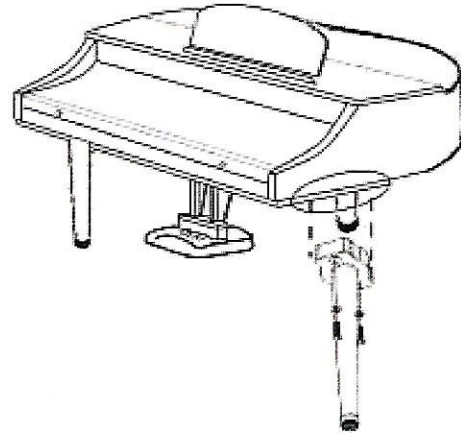
Take care not to drag the rear leg or lyre against the ground.

Piano Assembly Continued



PLEASE NOTE

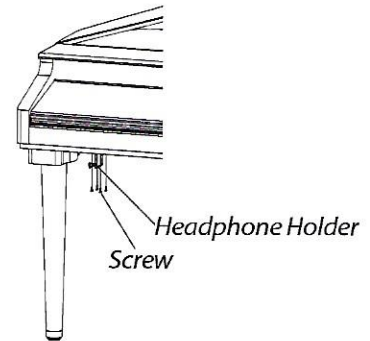
At least 2-3 people are needed to complete the assembly.
DO NOT CONTINUE WITHOUT HELP.



6. With 1-2 people holding the piano upright, attach the final leg as shown.

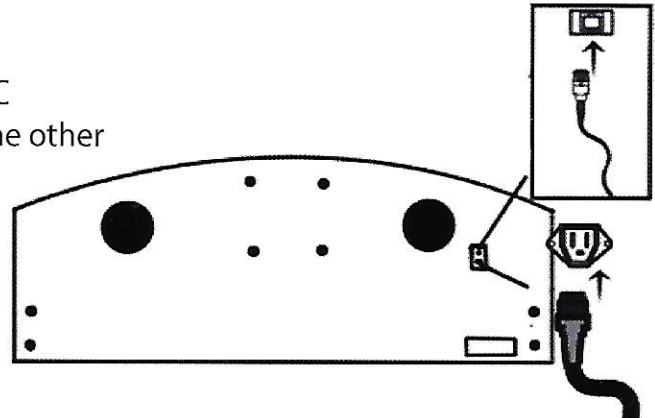
With someone lifting the front of the piano, remove the blanket or towel you used in step 4

7. Using the screwdriver provided attach the headphone holder to the bottom of the piano with four machine screws into the pre-drilled holes.



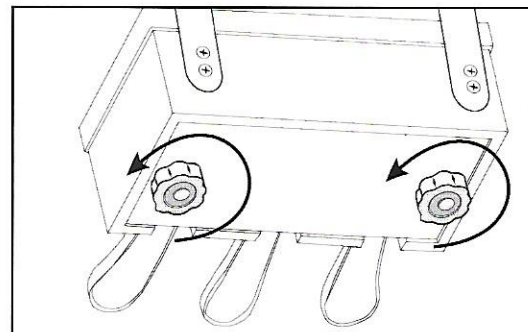
8. With the blanket or pillow removed, connect the AC power cable to the bottom of the piano and plug the other end into a power source.

Also, locate the pedal cable attached to the Lyre. Connect it to the bottom of the piano as well.



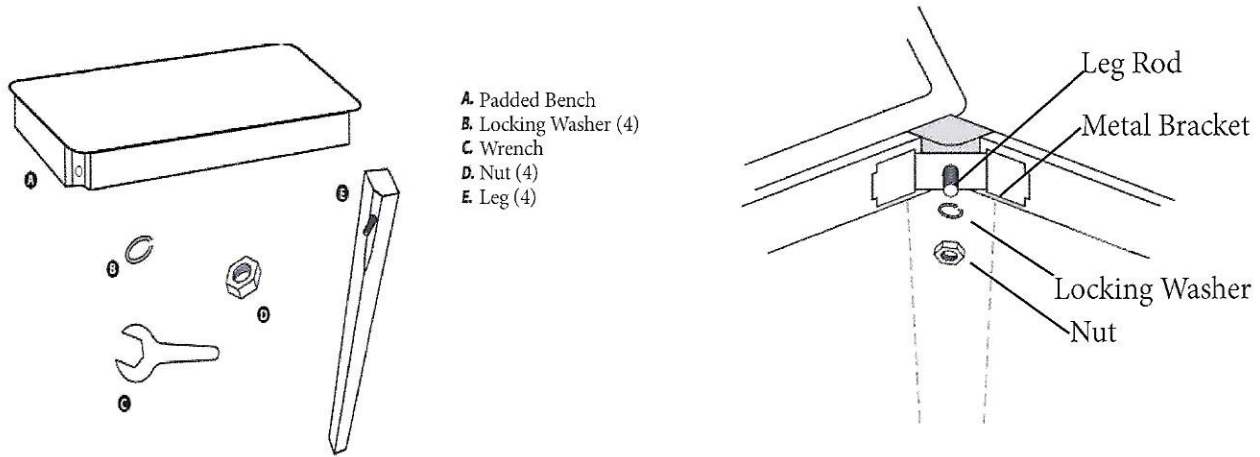
9. With your piano in its final position, locate the two pedal feet on the bottom of the lyre. Turn them counter clockwise until they both make firm contact with the floor surface.

NOTE: If you relocate the piano in the future, be sure to raise the feet back up first.



Piano Bench Assembly

10. To assemble the bench, insert the threaded leg rod through the metal bracket (located on all four corners underneath of the padded top). Secure each leg with a locking washer and nut, then tighten with the wrench provided as shown in the picture below.



If you have any questions about your piano please contact us
toll free at **888-998-9848**

artesia

Virgin (VMI) is the Parent Company of Artesia Pianos
Virgin Musical Instrument Company
P.O. BOX 2908
LA MESA, CA 91943

info@virginmusicalinstruments.com
www.virginmusicalinstruments.com

10506197-V1.0