

# ASSEMBLY GUIDE

## AG-50 Baby Grande Digital Piano



## EASY ASSEMBLY GUIDE

IF YOU HAVE ANY QUESTIONS OR PROBLEMS  
PLEASE CALL OUR TOLL FREE HELPLINE

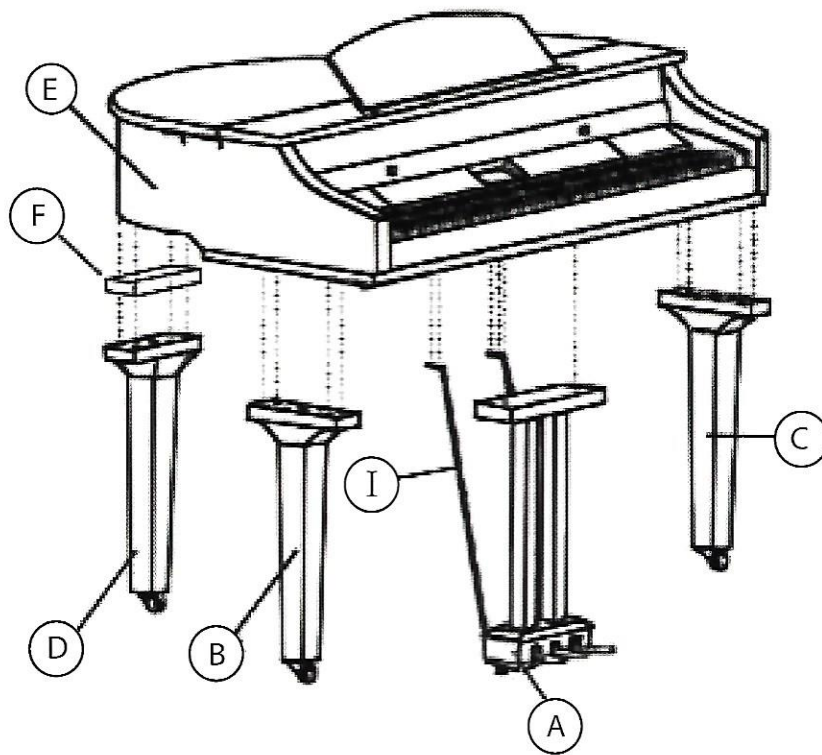
**888-998-9848**

DO NOT RETURN TO THE STORE

**artesia**

# Unboxing Your Piano

## What's Included



### Not pictured:

Thumb Drive/Song Library, Documentation, Bluetooth Receiver, USB cable, Audio Connection Cable, Cable Clamps, Headphone Holder, AC Power Cable

A. Lyre  
B. Left Leg  
C. Right Leg  
D. Rear Leg  
E. Piano Body

F. Rear Leg Spacer  
G. Front Legs and Lyre Bolts x 6  
H. Rear Leg Bolts x 2  
I. Lyre Support Rods x2  
J. Brass Support Screws x8

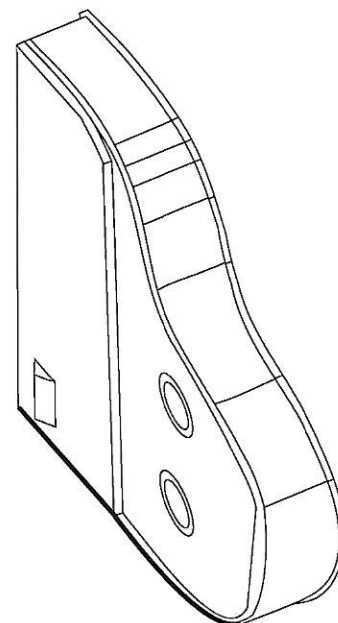
K. Wrench  
L. Screwdriver  
M. Washers

## Piano Assembly

1. Begin assembly by placing the main piano unit on its side, on a padded or carpeted surface. Be sure to place the flat side of the piano down as shown.



DO NOT ATTEMPT TO ASSEMBLE UNIT WITHOUT HELP.  
2 OR MORE PERSONS REQUIRED FOR ASSEMBLY.



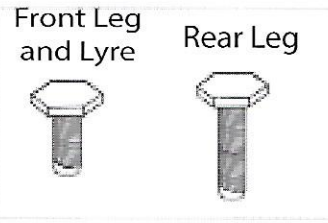


# Piano Assembly Continued

2. Leaving piano on its side, attach the lyre assembly (part A), the top right leg (part C), and the rear leg (part D) as shown.

Attach the front leg and lyre using the shorter bolts (part G) and washers (part M).

Attach the rear leg (part D) and spacer (part F) using the longer bolts (part H) and washers (part M)

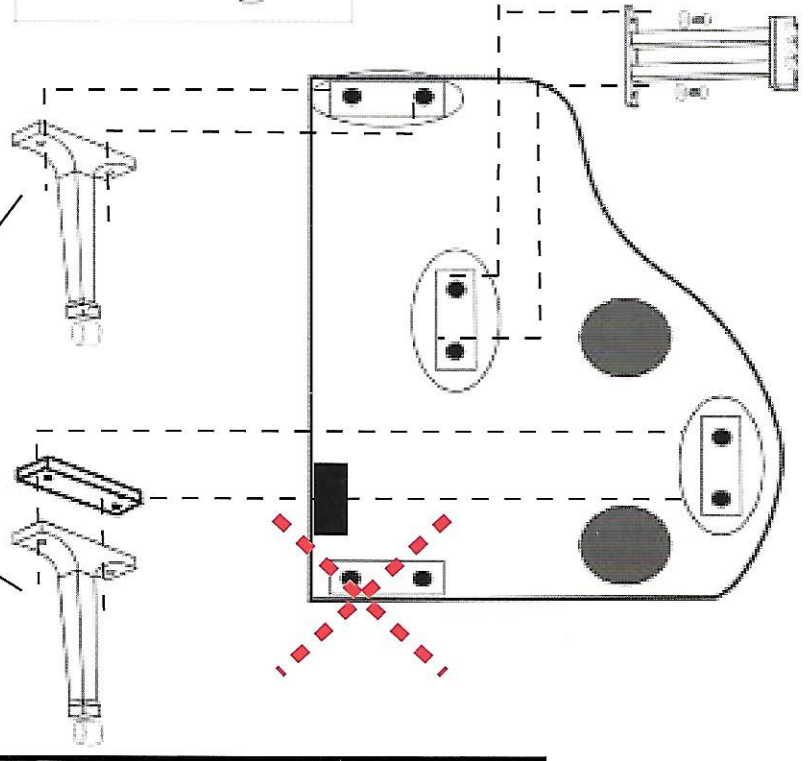
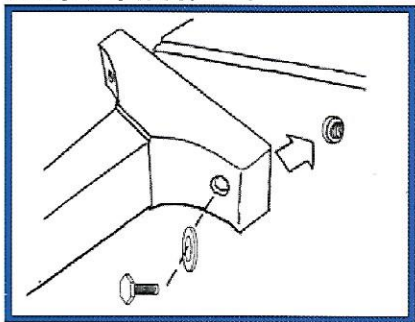


 **PLEASE NOTE**

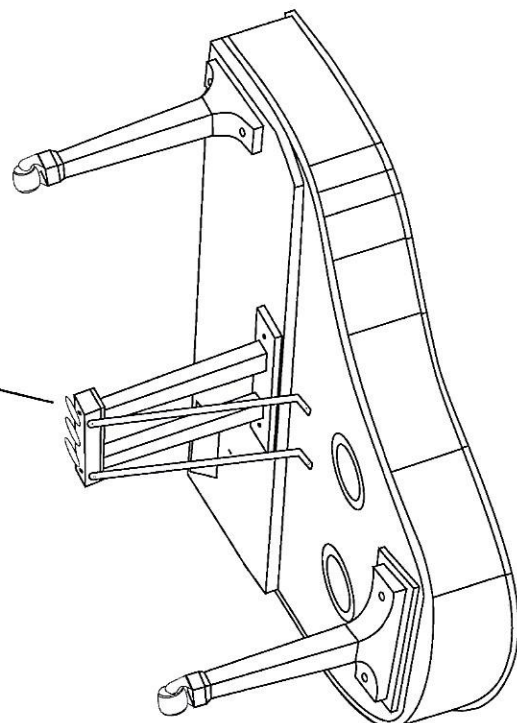
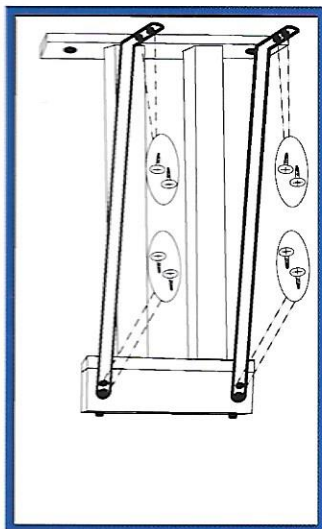
PLEASE USE THE ADDITIONAL WOOD INSERT WHEN ATTACHING THE REAR LEG AS SHOWN IN DIAGRAM

 **PLEASE NOTE**

DO NOT ATTACH BOTTOM/LEFT LEG AT THIS POINT.



3. Attach Lyre supports to the lyre and piano body as shown. Use two lyre screws at each point shown.



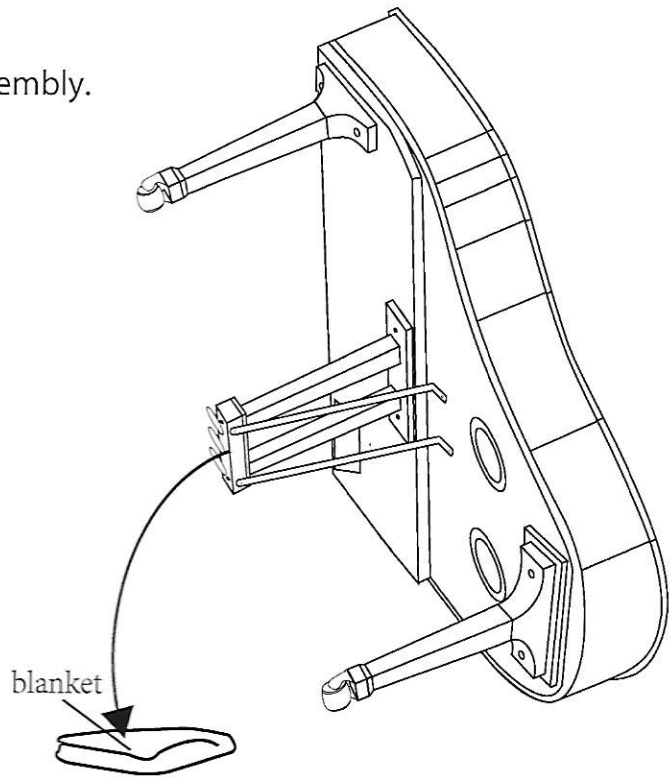
# Piano Assembly Continued



## PLEASE NOTE

At least 2-3 people are needed to complete the assembly.  
DO NOT CONTINUE WITHOUT HELP.

4. Position a pillow or thick blanket so that the lyre assembly will rest upon it when the piano is turned upright

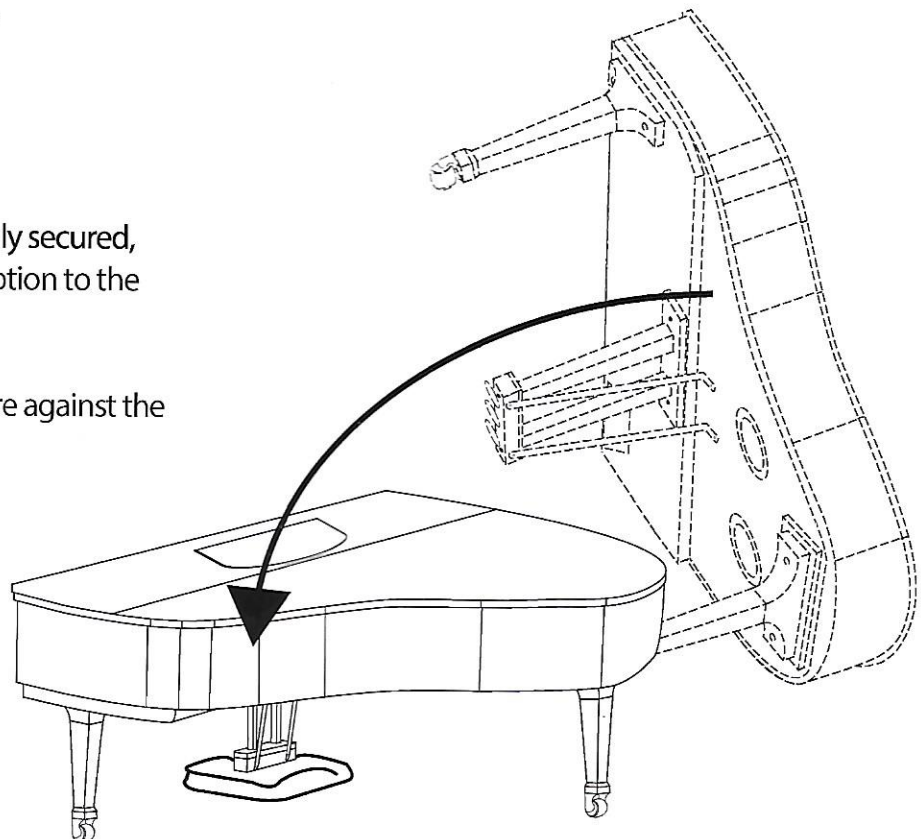


## PLEASE NOTE

At least 2-3 people are needed to complete the assembly.  
DO NOT CONTINUE WITHOUT HELP.

5. With the lyre, top leg, and rear leg firmly secured, lift and rotate the piano in a tipping motion to the upright position.

Take care not to drag the rear leg or lyre against the ground.





# Piano Assembly Continued

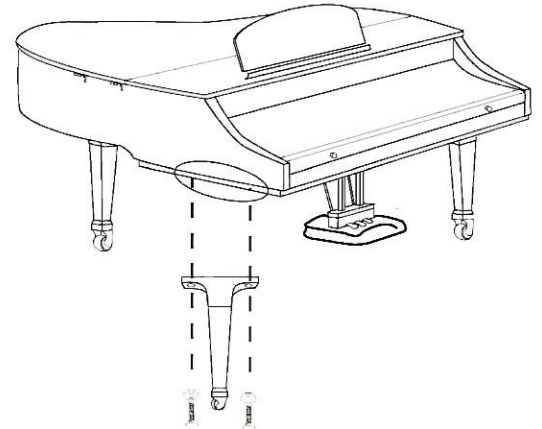


## **PLEASE NOTE**

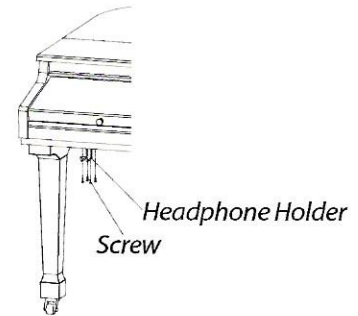
At least 2-3 people are needed to complete the assembly.  
DO NOT CONTINUE WITHOUT HELP.

6. With 1-2 people holding the piano upright, attach the final leg as shown.

With someone lifting the front of the piano, remove the blanket or towel you used in step 4

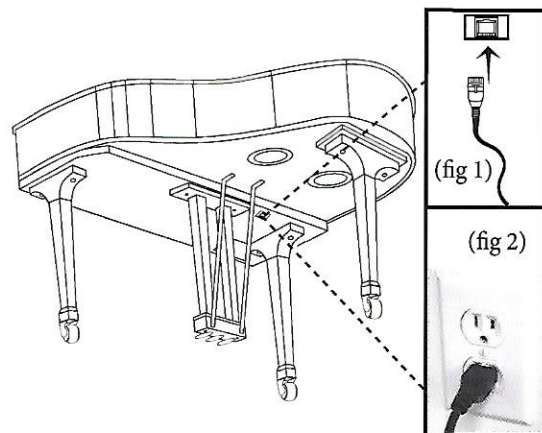


7. Attach the headphone holder to the bottom left of the piano with four machine screws.



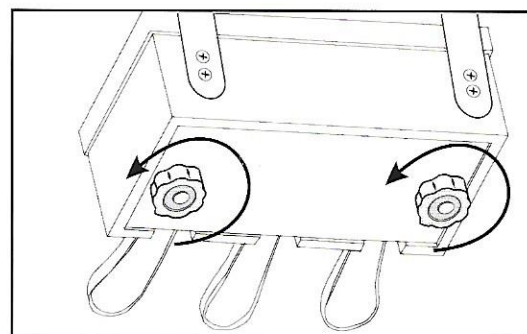
- 8A. Connect AC power cord to the bottom of the piano. Plug the other end into a wall socket.

- 8B. Locate the pedal cable attached to the Lyre. Connect it to the bottom of the piano as shown.



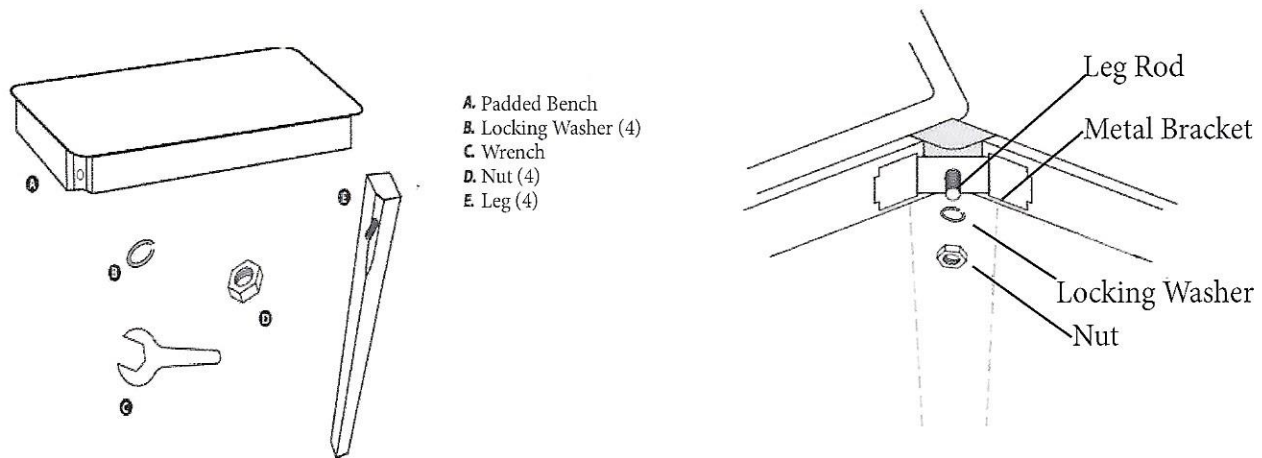
9. With your piano in its final position, locate the two pedal feet on the bottom of the lyre. Turn them counter clockwise until they both make firm contact with the floor surface.

NOTE: If you relocate the piano in the future, be sure to raise the feet back up first.



# Piano Bench Assembly

10. To assemble the bench, insert the threaded leg rod through the metal bracket (located on all four corners underneath of the padded top). Secure each leg with a locking washer and nut, then tighten with the wrench provided as shown in the picture below.



If you have any questions about your piano please contact us  
toll free at **888-998-9848**

**artesia**

Virgin (VMI) is the Parent Company of Artesia Pianos  
Virgin Musical Instrument Company  
P.O. BOX 2908  
LA MESA, CA 91943

info@virginmusicalinstruments.com  
www.virginmusicalinstruments.com

10506198-V1.0