

ASSEMBLY GUIDE

DP-3+ Home Digital Piano



EASY ASSEMBLY GUIDE

IF YOU HAVE ANY QUESTIONS OR PROBLEMS
PLEASE CALL OUR TOLL FREE HELPLINE

888-998-9848

DO NOT RETURN TO THE STORE

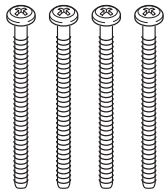
Artesia

Unboxing Your Piano

What's Included



Nuts(A)



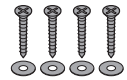
Bolts(B) M6X55



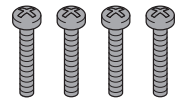
Bolts(C) M6X16



Bolts(D) M4X12



Tapping Screws(E) ST3.9X16



Bolts(F) M6X20

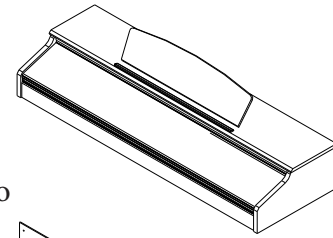


Plastic Caps(G)

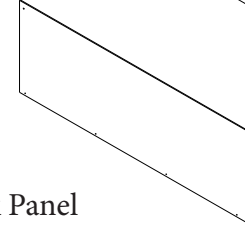


Phillips Screwdriver

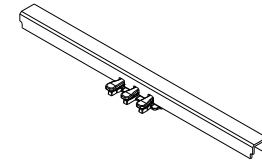
Not pictured:
Thumb Drive/Song Library,
Documentation, USB cable,
Audio Connection Cable,
Power Adapter



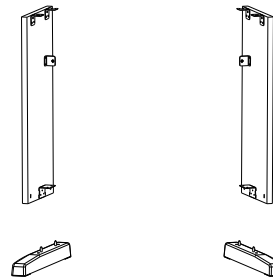
Piano



Back Panel



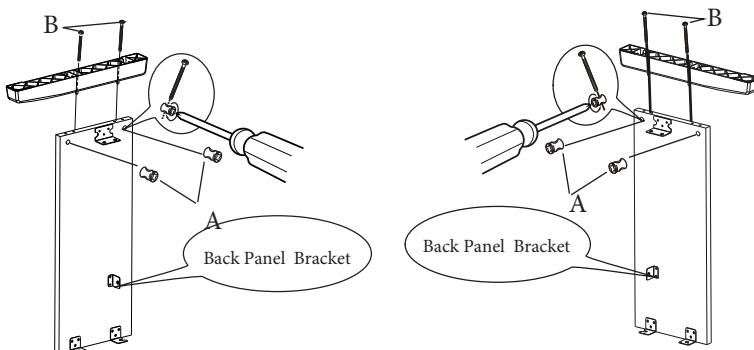
Pedal Board



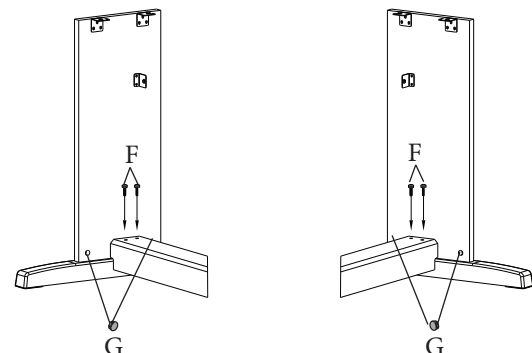
Legs (2)

Piano Assembly

1. Place the cylindrical nuts(A) into the holes on the side of each leg with the Phillips slots facing toward you for each nut. Use a screwdriver to rotate the cylindrical nut(A) into position so that the nut's threaded hole lines up with the hole on the bottom of each leg. Align the rear leg with the foot so the foot points away from the back panel bracket. Then insert the four BOLTS(B) through the bottom of the foot and screw it into the cylindrical nut until tight. Do this for each of the nuts in both rear legs.

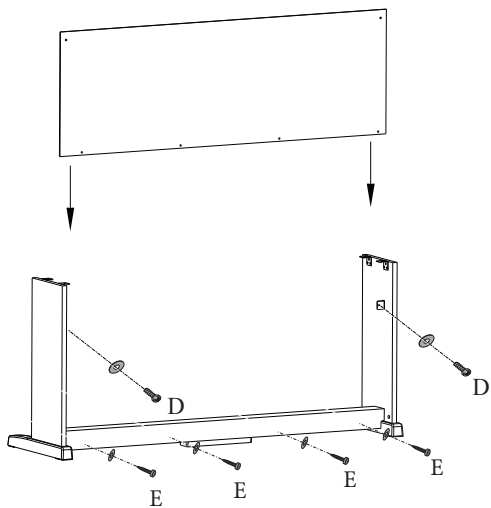


2. Begin assembly by the attaching the pedal board to the piano legs. With the pedals facing forward towards the front of the legs, attach the pedal board using four BOLTS(F), as shown. Place the four plastic caps(G) into the holes above the foot in each rear leg.



Piano Assembly Continued

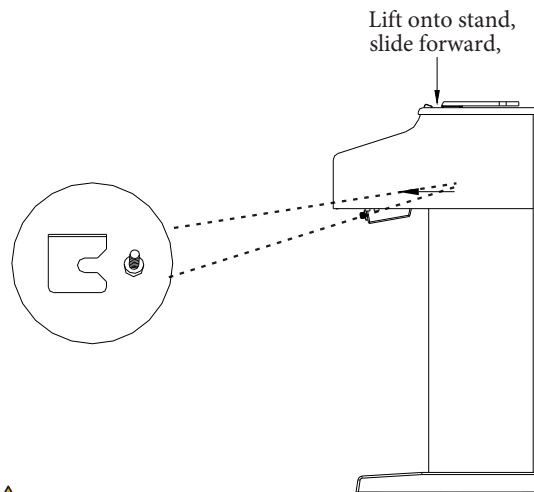
3. Using four TAPPING SCREWS(E), and two BOLTS (D), attach the back panel to the stand as shown.



PLEASE NOTE

At least 2 people are needed to complete the assembly.
DO NOT CONTINUE WITHOUT HELP.

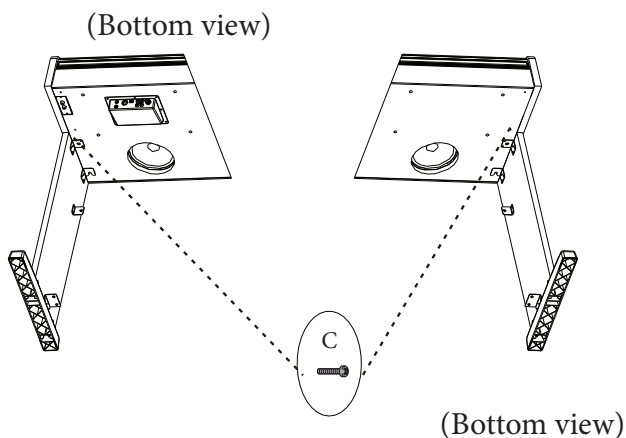
4. Lift the piano onto the stand and slide forwards, pushing the guide rods on the bottom of the piano into the slots on the piano legs. Shown Below.



PLEASE NOTE

When lifting the piano onto its stand, be careful not to catch/trap hands or fingers.

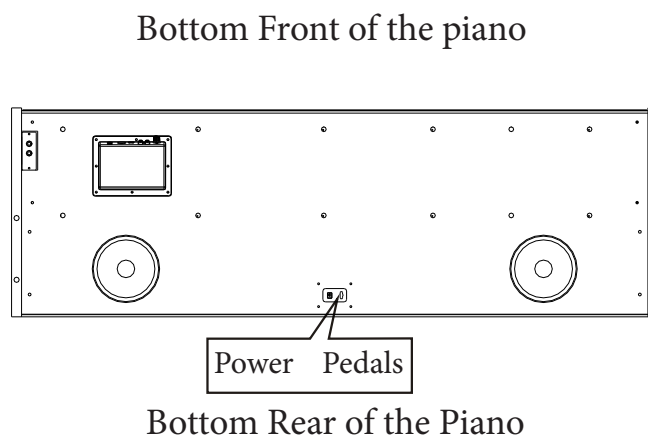
5. Finish attaching the piano to the stand by using the two Bolts(C) to attach the bottom of the piano to its stand.



PLEASE NOTE

Tighten all screws securely to ensure that the piano is securely attached to the stand. Failure to do so may result in serious injury

6. Attach the AC Power Cord and Pedal Cable into their connectors on the bottom of the piano as shown.



PLEASE NOTE

The pedal cable is located underneath the pedal board



If you have any questions about your piano please contact us
toll free at **888-998-9848**

Artesia

Virgin (VMI) is the Parent Company of Artesia Pianos
Virgin Musical Instrument Company
P.O. BOX 2908
LA MESA, CA 91943

info@virginmusicalinstruments.com
www.virginmusicalinstruments.com