

artesia PRO

Q5 Baby Grande Digital Piano



EASY ASSEMBLY GUIDE

IF YOU HAVE ANY QUESTIONS OR PROBLEMS
PLEASE CALL OUR TOLL FREE HELPLINE

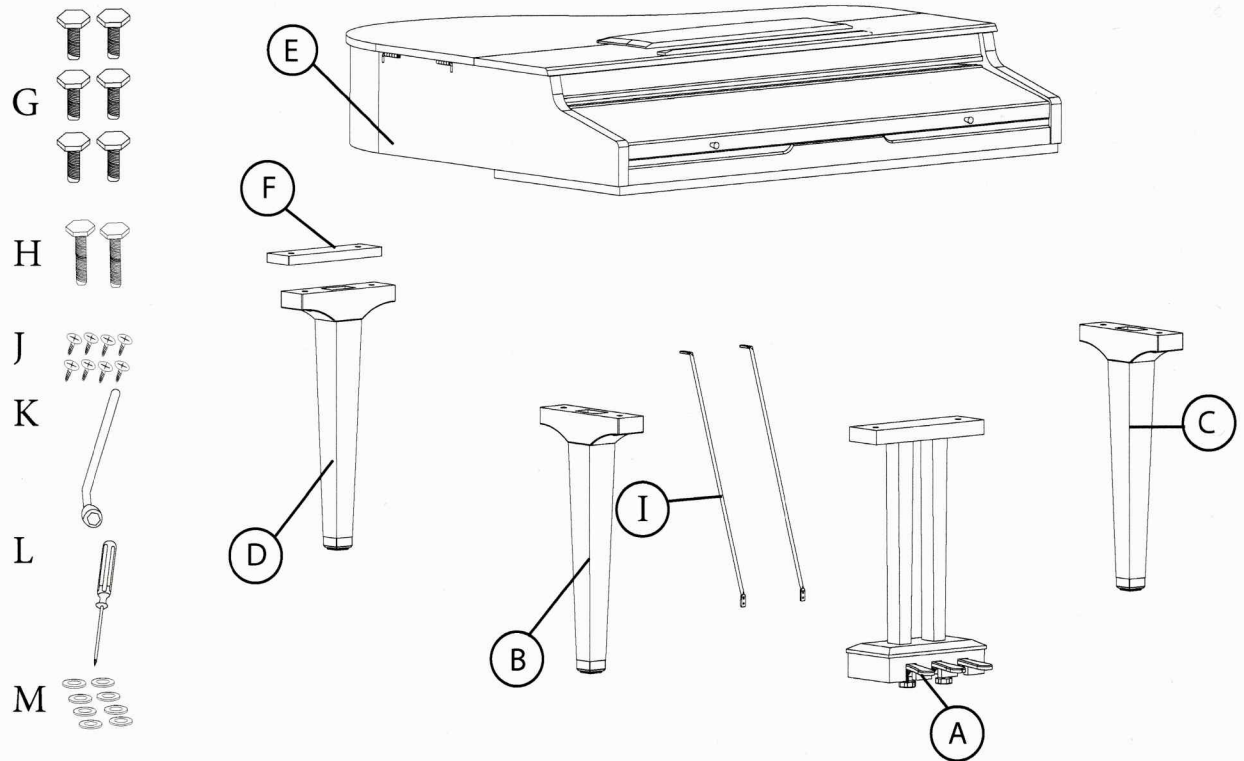
888-998-9848

DO NOT RETURN TO THE STORE

artesia PRO

Unboxing Your Piano

What's Included



Not pictured:
Thumb Drive/Song Library,
Documentation, Cable Clamps,
Headphone Holder, AC Power Cable,
USB cable, Audio Connection Cable

A. Lyre
B. Left Leg
C. Right Leg
D. Rear Leg
E. Piano Body

F. Rear Leg Spacer
G. Front Legs and Lyre Bolts x 6
H. Rear Leg Bolts x 2
I. Lyre Support Rods x 2
J. Brass Support Screws x 8

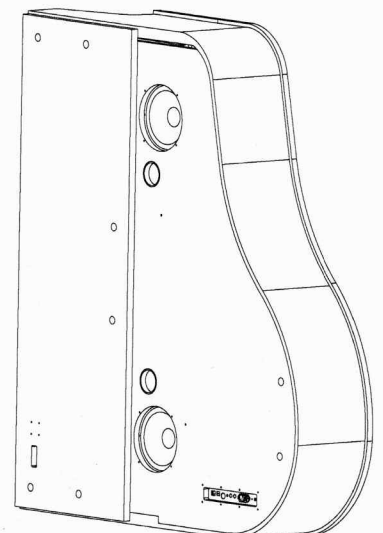
K. Wrench
L. Screwdriver
M. Washers

Piano Assembly

1. Begin assembly by placing the main piano unit on its side, on a padded or carpeted surface. Be sure to place the flat side of the piano down as shown.

PLEASE NOTE

DO NOT ATTEMPT TO ASSEMBLE UNIT
WITHOUT HELP.
2 OR MORE PERSONS REQUIRED FOR
ASSEMBLY.



Piano Assembly Continued

2. Leaving piano on its side, attach the lyre assembly (part A), the top right leg (part C), and the rear leg (part D) as shown.

Attach the front leg and lyre using the shorter bolts (part G) and washers (part M).

Attach the rear leg (part D) and spacer (part F) using the longer bolts (part H) and washers (part M)

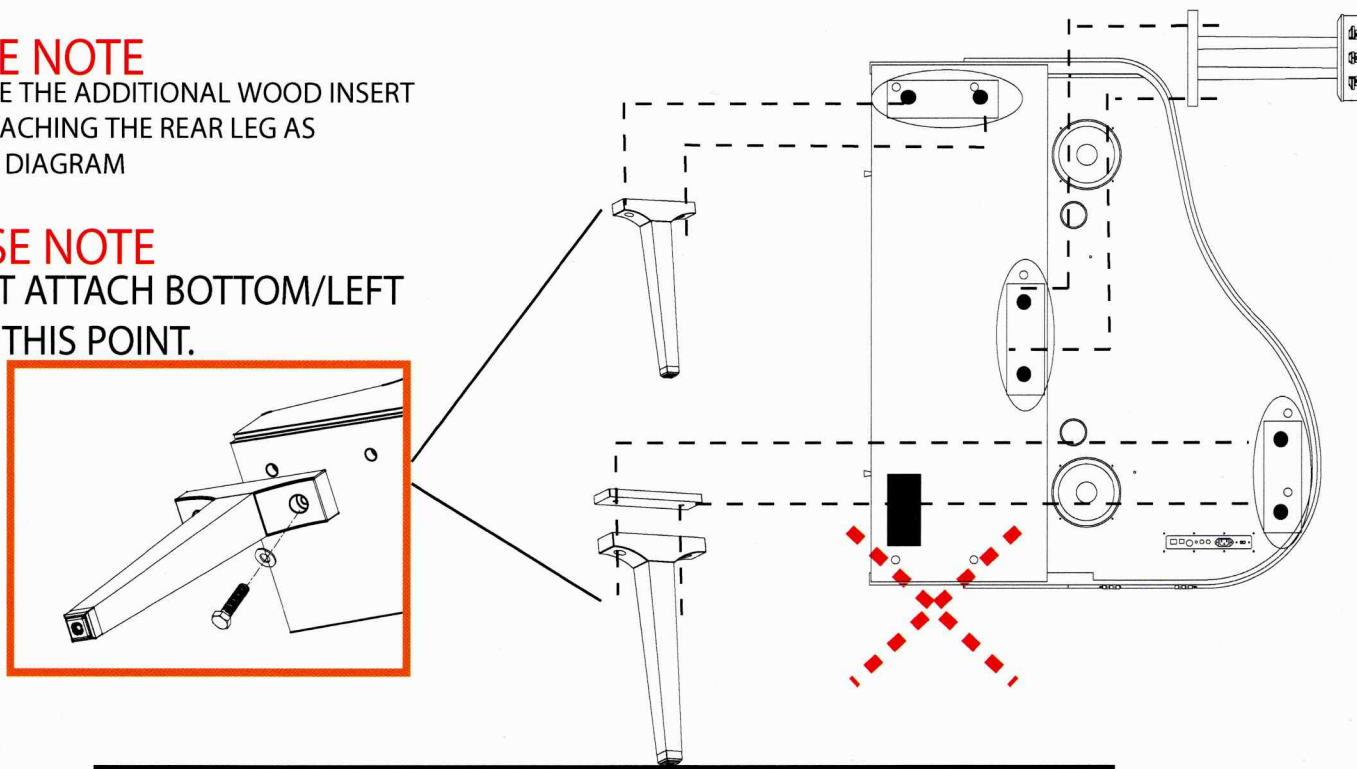
Front Leg and Lyre Rear Leg

PLEASE NOTE

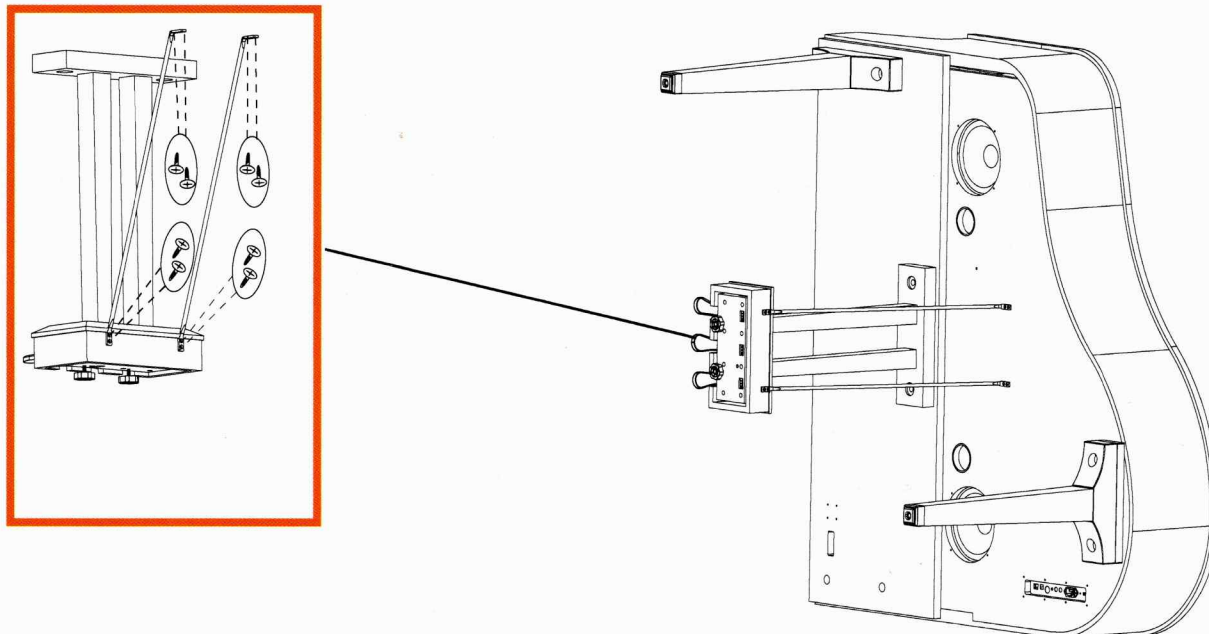
PLEASE USE THE ADDITIONAL WOOD INSERT WHEN ATTACHING THE REAR LEG AS SHOWN IN DIAGRAM

PLEASE NOTE

DO NOT ATTACH BOTTOM/LEFT LEG AT THIS POINT.



3. Attach Lyre supports to the lyre and piano body as shown. Use two lyre screws at each point shown.

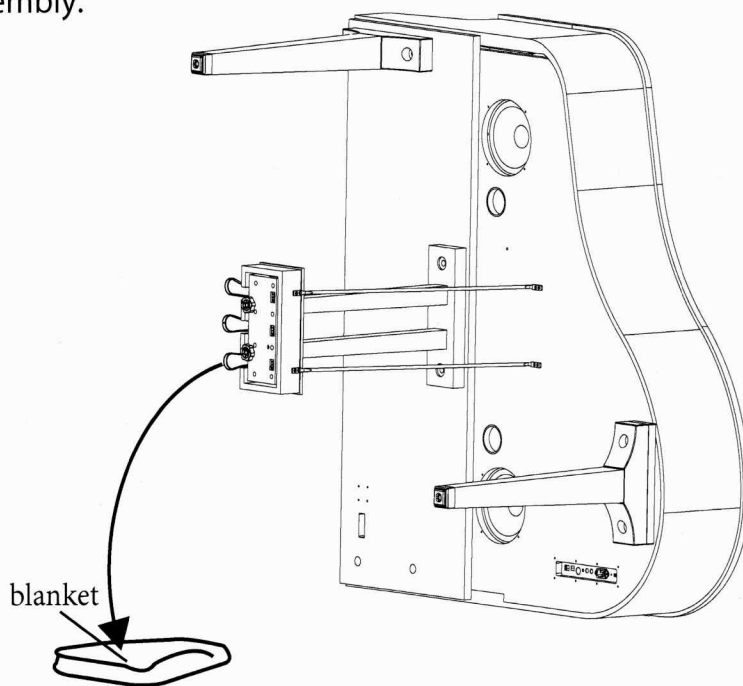


Piano Assembly Continued

PLEASE NOTE

At least 2-3 people are needed to complete the assembly.
DO NOT CONTINUE WITHOUT HELP.

4. Position a pillow or thick blanket so that the lyre assembly will rest upon it when the piano is turned upright

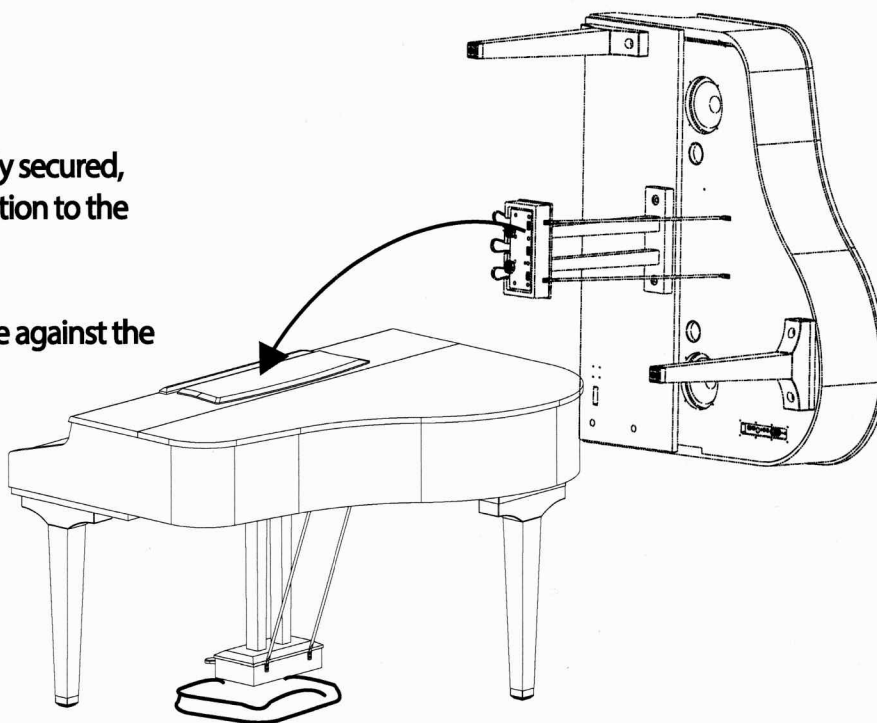


PLEASE NOTE

At least 2-3 people are needed to complete the assembly.
DO NOT CONTINUE WITHOUT HELP.

5. With the lyre, top leg, and rear leg firmly secured, lift and rotate the piano in a tipping motion to the upright position.

Take care not to drag the rear leg or lyre against the ground.

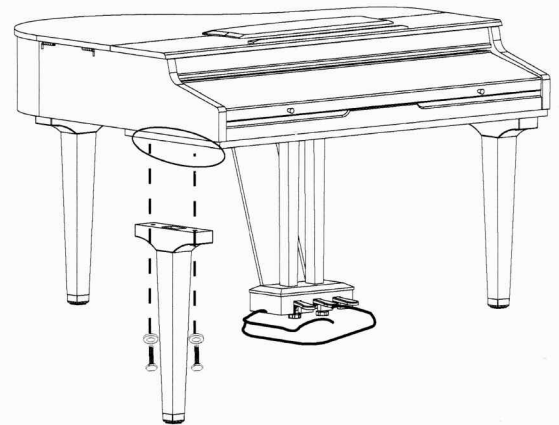


Piano Assembly Continued

PLEASE NOTE

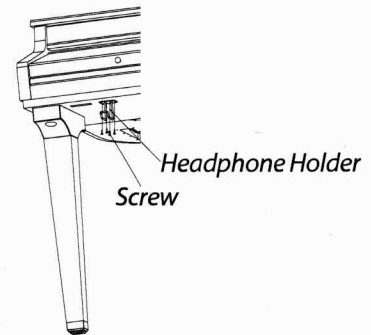
At least 2-3 people are needed to complete the assembly.
DO NOT CONTINUE WITHOUT HELP.

6. With 1-2 people holding the piano upright, attach the final leg as shown.

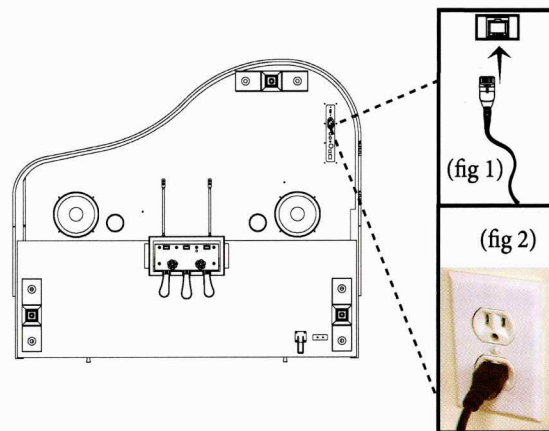


With someone lifting the front of the piano, remove the blanket or towel you used in step 4

7. Attach the headphone holder to the bottom left of the piano with four machine screws.

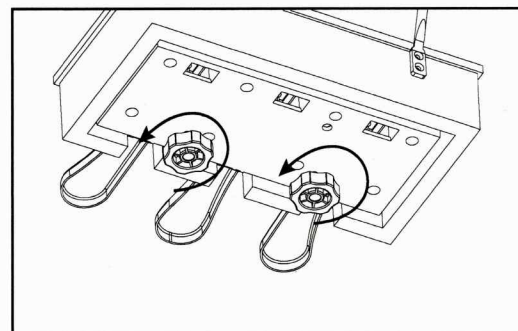


- 8A. Connect AC power cord to the bottom of the piano.
Plug the other end into a wall socket.



- 8B. Locate the pedal cable attached to the Lyre.
Connect it to the bottom of the piano as shown.

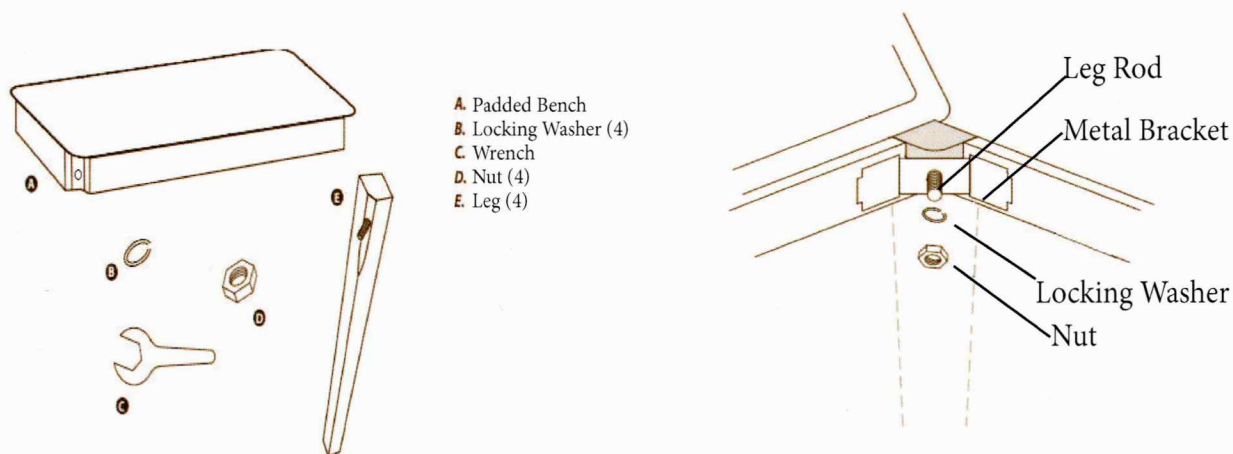
9. With your piano in its final position, locate the two pedal feet on the bottom of the lyre. Turn them counter clockwise until they both make firm contact with the floor surface.



NOTE: If you relocate the piano in the future, be sure to raise the feet back up first.

Piano Bench Assembly

10. To assemble the bench, insert the threaded leg rod through the metal bracket (located on all four corners underneath of the padded top). Secure each leg with a locking washer and nut, then tighten with the wrench provided as shown in the picture below.



If you have any questions about your piano please contact us
toll free at **888-998-9848**

artesia PRO

Artesia Pro Inc

P O Box 2908

La Mesa, CA 91943

PH: 619 244-0006

support@artesia-pro.com

www.artesia-pro.com

10506813-V1.0