

EFNOTE **mini**






Quickstart Guide



EN

Hello!

Contents

IMPORTANT SAFETY INSTRUCTIONS	3
Important Information	4
Assembling	6
Packing List	6
Assembly	7
Tuning the Head Tension	9
Replacing the Beater Patch When It Becomes Worn	9
Connection	10
Basic Operation	12
Panel Description	12
Power On/Off	12
Home Screen	13
 Volume	13
 Inst Info	13
 Click (Metronome)	13
 Recorder	13
 Menu	14
Power Menu	14
Adjusting the Hi-Hat (Auto Calibration)	15
Changing the Instrument	15
Connecting Your Smartphone with Bluetooth	16
Limiting the Headphones Volume	17
Changing the Power Save Setting	17
Specifications	18
Optional Components and Consumable Parts	19
Support	19

For the EFNOTE mini Reference Guide or other latest information, please refer to the web below.

Reference Guide PDF

[ef-note.com/products/drums/
EFNOTEmini/efnotemini.html#downloads](http://ef-note.com/products/drums/EFNOTEmini/efnotemini.html#downloads)

Product Information

ef-note.com/products/drums/EFNOTEmini



Reference Guide





Product Info

IMPORTANT SAFETY INSTRUCTIONS




FAILURE TO OBSERVE THE FOLLOWING SAFETY INSTRUCTIONS MAY RESULT IN FIRE, ELECTRIC SHOCK, INJURY TO PERSONS, OR DAMAGE TO OTHER ITEMS OR PROPERTY.

You must read and follow these instructions, heed all warnings, before using this product. Please keep this guide for future reference.

About warnings and cautions

 WARNING	Indicates a hazard that could result in death or serious injury
 CAUTION	Indicates a hazard that could result in injury or property damage

About the symbols

	"Caution": Calls your attention to a point of caution
	"Do not ..": Indicates a prohibited action
	"You must ..": Indicates a required action

WARNING

To reduce the risk of fire or electric shock, do not expose this product to rain or moisture



Do not use or store in the following locations

- Locations subject to water or rain
- Moist or humid locations (near a bath or shower, or on a wet floor)
- High temperature locations (in direct sunlight, near heating equipment)
- Locations subject to salt damage
- Excessively dusty locations



Turn the power off if an abnormality or accident occurs

In the following situations, immediately turn off the power, disconnect the AC adapter from the AC outlet, and contact your dealer.



- If the AC adapter, power cord, or plug is damaged
- If smoke is emitted or an abnormal odor is noticed
- If liquid or a foreign object enters the product
- If an abnormality or malfunction occurs in the product



Do not plug or unplug the AC adapter with wet hands

You risk electric shock.



Do not drop or subject to strong impact

Do not drop this product or subject it to strong impact.



Do not disassemble

Do not disassemble or modify this product and AC adapter.



Do not damage the power cord

Do not excessively bend the power cord or damage it. Do not place heavy objects on top of the power cord. Doing so may damage the power cord, causing fire or electric shock.



Use the included AC adapter

Use only the included AC adapter. Use the adapter with the voltage that it specifies.

CAUTION



Do not place the product in an unstable location

Doing so may cause the product to overturn, causing personal injury.



Do not sit or stand on the product, or place heavy objects on it

Doing so may damage the product. You should also avoid applying excessive force to the buttons, knobs, display, and input/output jacks. Doing so will cause malfunctions.



Do not use the product at a high volume for an extended time

Using speakers or headphones at high volume for an extended time will damage your hearing.



Grasp the power plug when connecting or disconnecting

When connecting or disconnecting the AC adapter from the product, you must grasp the plug rather than pulling the power cord.



Disconnect the power plug from the AC outlet during lightning storms or when unused for long periods of time

Failure to do so may cause electric shock, fire, or malfunction.



Disconnect all connections before moving the product

Failure to do so may cause damage to the power cord or cables, or may cause people to trip over the cables.



Handle the product with care

Take care that your hands or fingers are not injured by corners, edges or openings of the product.



Keep small parts out of reach of children

Keep small parts out of reach of children who might accidentally swallow them.



Supervise or give guidance when children use this product or when children are present around this product

Always take care that children are not injured with this product.

Important Information

Power supply

- A small amount of current flows even when the power is turned off. If you will not be using this product for an extended period of time, you may desire to unplug the AC adapter from the AC outlet.

Regulatory compliance for radio emission devices

- You should keep turning the Bluetooth off when using the product in a country/region other than where it sold.
- The following actions may violate the law.
 - Disassembling or modifying this product.
 - Removing the certification label on the product.

Placement

- Do not use this product near other electrical products such as televisions, radios. This product may cause noise in televisions or radios.

Cleaning

- Use a soft dry cloth to clean the product. Do not use benzene, thinner, detergent, or chemically treated cloth, since these can cause deformation or discoloration.

Data

- Please be aware that the manufacturer bears no responsibility for any consequences that may arise from damage to or loss of data.
- In some cases, equipment malfunction or incorrect operation can cause the contents of the memory to be lost. Please make a backup of any important data that is in the memory.

Copyright

- Duplication or reuse of the music and sound data contained in or included with this product without permission from the copyright holder is forbidden (with the exception of copying for personal use as permitted by copyright law).
- Copyright for the content (sound data, phrase data, audio data, image data, computer programs, etc.) contained in or included with this product is the property of Ef-Note Inc. Copyright law forbids you to use the above content without permission of Ef-Note Inc. for any purpose other than personal use.
- The above content that is contained in or included with this product may not be resold, distributed, or published, neither in its existing form nor in any way that resembles it.

Others

- ASIO is a trademark and software of Steinberg Media Technologies GmbH.
- The Bluetooth® word mark and logos are registered trademarks owned by Bluetooth SIG, Inc..
- Company names or product names etc. appearing in this document are the registered trademarks or trademarks of their respective corporate owners.
- EFNOTE is a trademark or registered trademark of Ef-Note Inc.
- All illustrations and screens appearing in this document are for the purpose of explaining operation, and may differ from the actual product or specifications.

* Ef-Note Inc. cannot be held responsible for damage caused by improper use or modifications to the product, or loss of data.

ADDITIONAL CAUTION WHEN USED BY CHILDREN

- Supervise or give guidance when children use this product or when children are present around this product. Always take care that children are not injured with this product.
- Be careful that children do not touch the AC outlet or the AC adapter connected to the AC outlet. There is a risk of electric shock.
- Do not allow children to assemble. There is a possibility of injury.
- Do not allow children to step on or lean on the product. The product may fall over.
- Using headphones or earphones at high volume will damage children's hearing.

For EU countries, UK



Ef-Note Inc. hereby declares that the type of radio equipment EFNOTE mini (EFDMINI-STDSET) complies with Directive 2014/53/EU. The full text of the EU Declaration of Conformity is available at : ef-note.com/compliance



This symbol on the product means that used electrical and electronic equipment should not be mixed with general household waste. The correct disposal will help prevent potential negative effects on human health and the environment. For proper treatment, recovery and recycling, please contact your city office, waste disposal servicer or the shop which you purchased the product.

For the USA

WARNING

This product contains a chemical known to the State of California to cause cancer, birth defects or other reproductive harm.

FCC INFORMATION

This equipment has been tested and found to comply with the limits for a Class B digital device, pursuant to part 15 of the FCC Rules. These limits are designed to provide reasonable protection against harmful interference in a residential installation. This equipment generates, uses and can radiate radio frequency energy and, if not installed and used in accordance with the instructions, may cause harmful interference to radio communications. However, there is no guarantee that interference will not occur in a particular installation. If this equipment does cause harmful interference to radio or television reception, which can be determined by turning the equipment off and on, the user is encouraged to try to correct the interference by one or more of the following measures:

- Reorient or relocate the receiving antenna.
- Increase the separation between the equipment and receiver.
- Connect the equipment into an outlet on a circuit different from that to which the receiver is connected.
- Consult the dealer or an experienced radio/TV technician for help.

This device complies with part 15 of the FCC Rules. Operation is subject to the following two conditions:

- (1) This device may not cause harmful interference, and
- (2) this device must accept any interference received, including interference that may cause undesired operation.

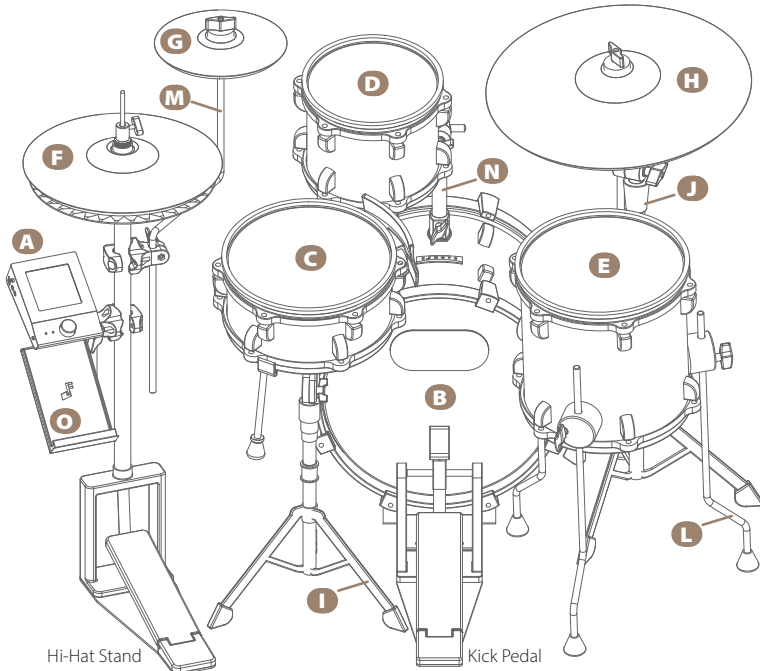
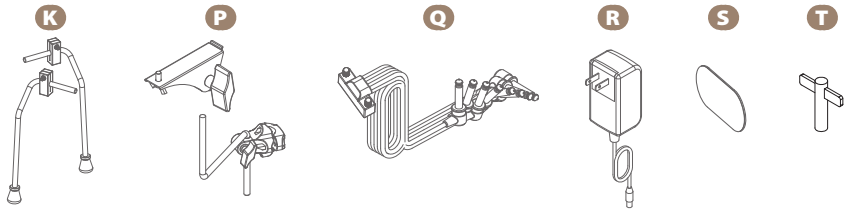
Assembling

■ Packing List

A	Sound Module	1x
B	14" Kick	1x
C	10" Snare with Side-Rim	1x
D	8" Tom	1x
E	10" Floor Tom	1x
F	12" Hi-Hat Cymbals	1x
G	8" Splash Cymbal	1x
H	16" Standard Cymbal	1x

I	Snare Drum Stand	1x
J	Cymbal Stand	1x
K	Kick Drum Spur	2x
L	Floor Tom Leg	3x
M	Splash Mount Set	1x
N	Tom Mount Set	1x
O	Smartphone Tray	1x
P	Module Mount Set	1x

Q	Multi-C Cable	1x
R	AC Adapter	1x
S	Beater Patch	1x
T	Tuning Key	1x
	Cable Tie	10x
	Quickstart Guide	1x

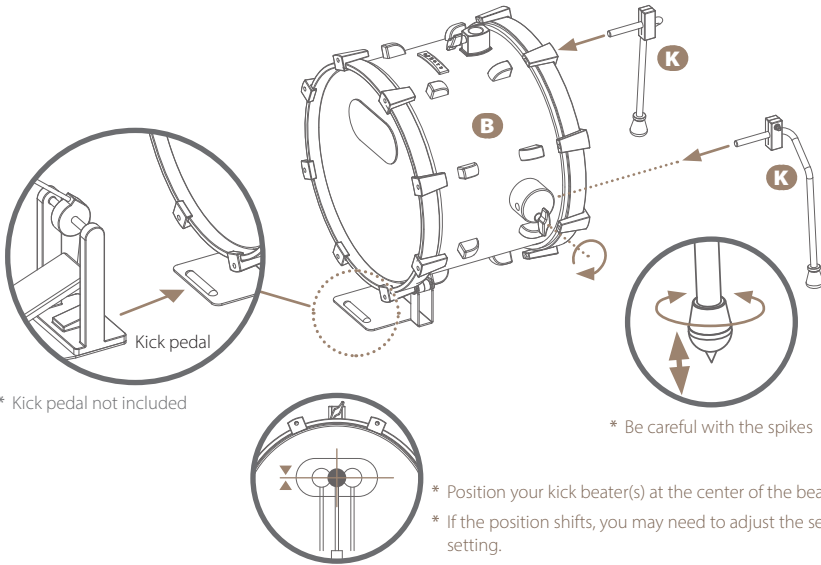
**NOTE**

* Kick pedal and hi-hat stand are optional, and may be included depending on the package purchased. For details, please contact the store where you purchased the product.

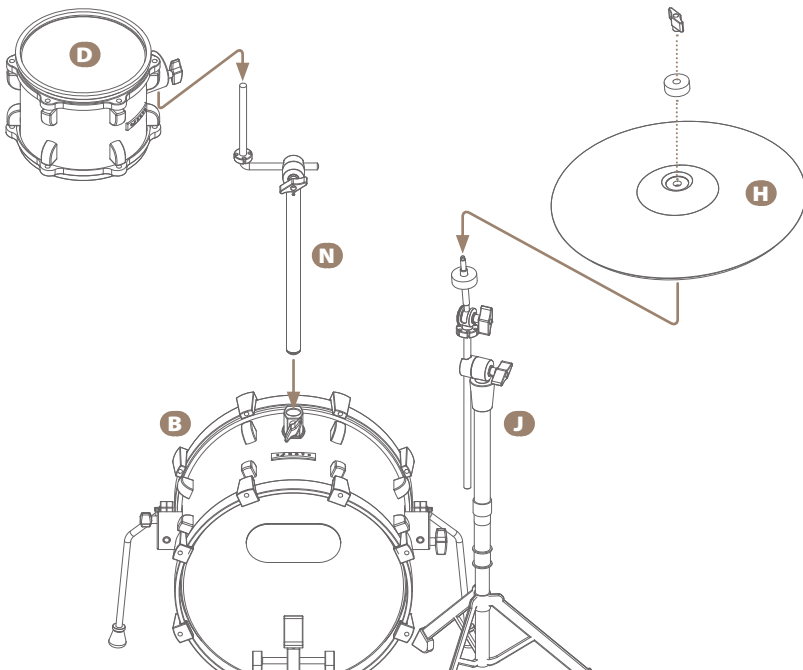
■ Assembly

CAUTION Please be careful not to injure yourself during assembly.

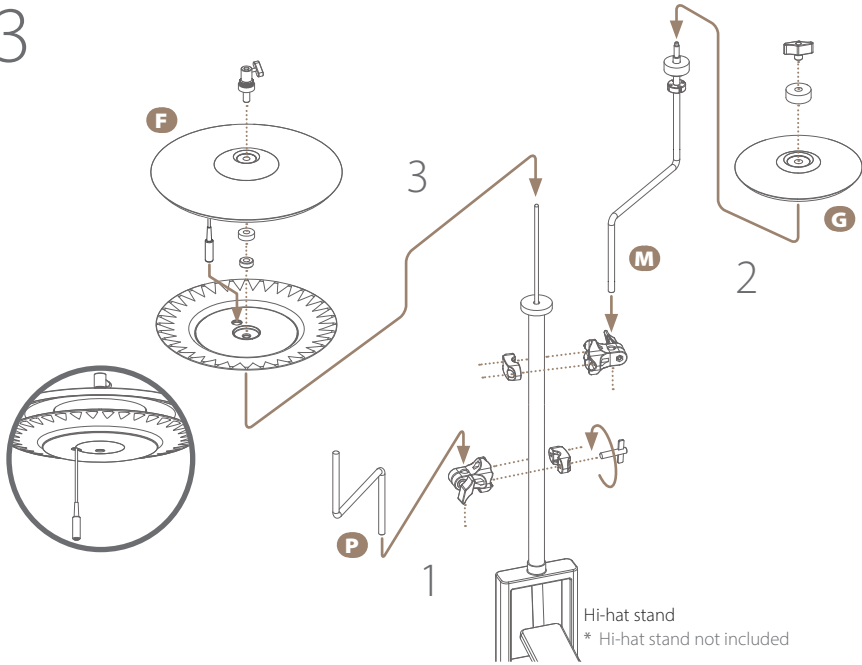
1



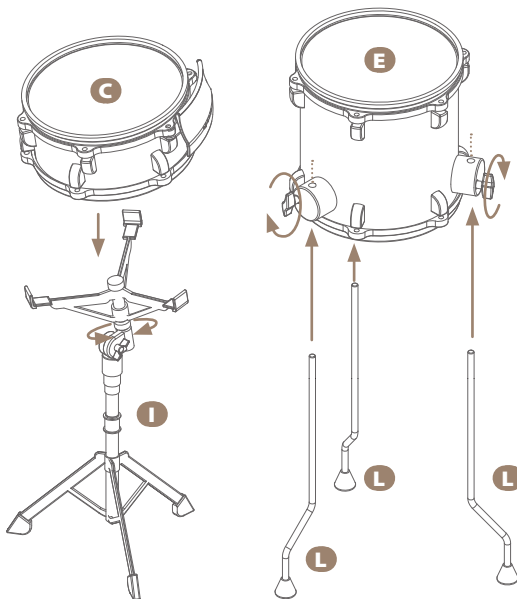
2



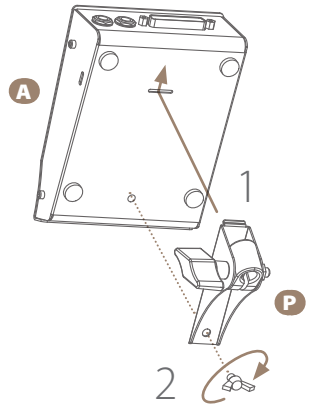
3



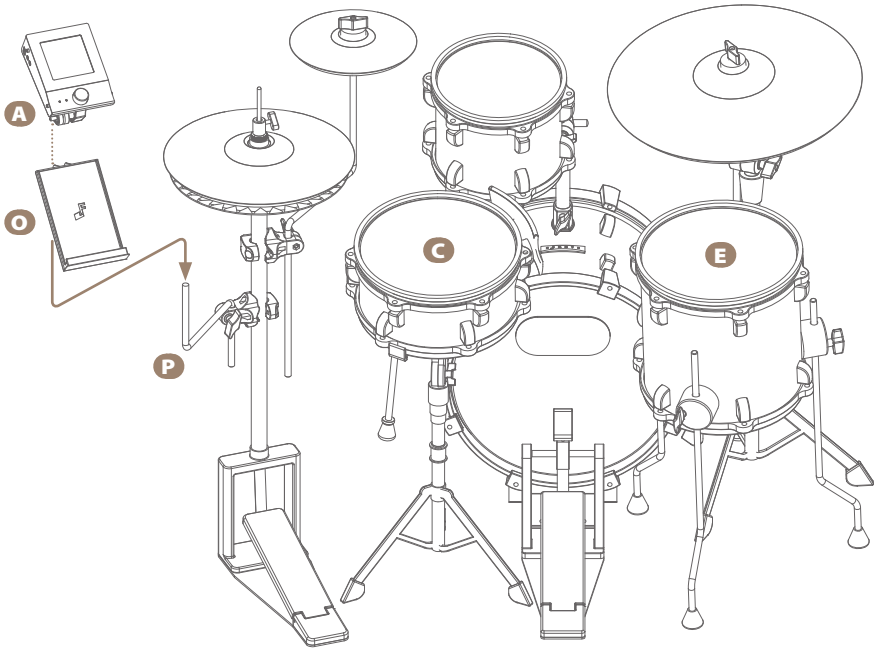
4



5



6



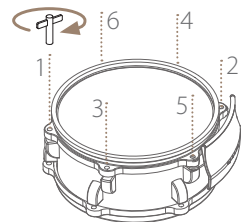
* Kick pedal and hi-hat stand are not included.

- * Be sure to tighten all knobs and bolts firmly.
- * Make sure that all stands are stable.
- * Be careful that your smartphone does not fall from the smartphone tray.

■ Tuning the Head Tension

Make sure the mesh drum heads are not loose.
Tighten up the tuning bolts evenly with the tuning key, if needed.

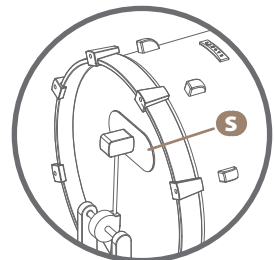
- * The mesh drum head is a consumable item. Replace when it has worn.



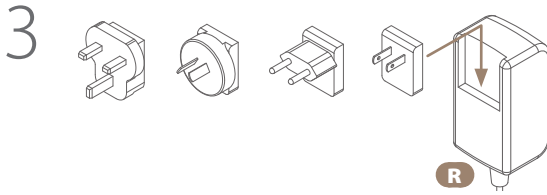
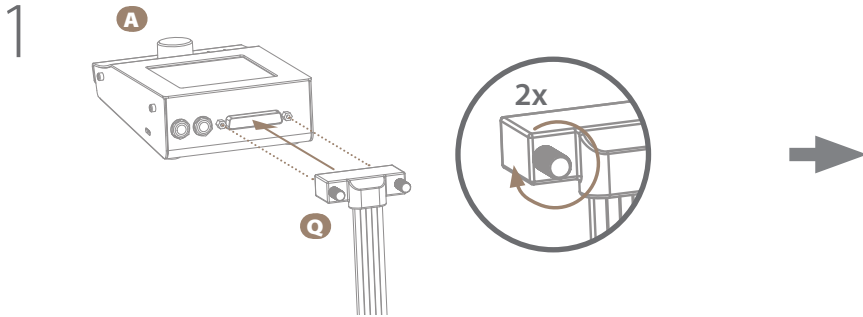
■ Replacing the Beater Patch When It Becomes Worn

Replace the beater patch in its original position.

- * Playing without the beater patch may cause damage to the head.
- * Be sure not the hard edge of your beater touches the hitting surface.
- * The beater patch is a consumable item. Replace when it has worn.

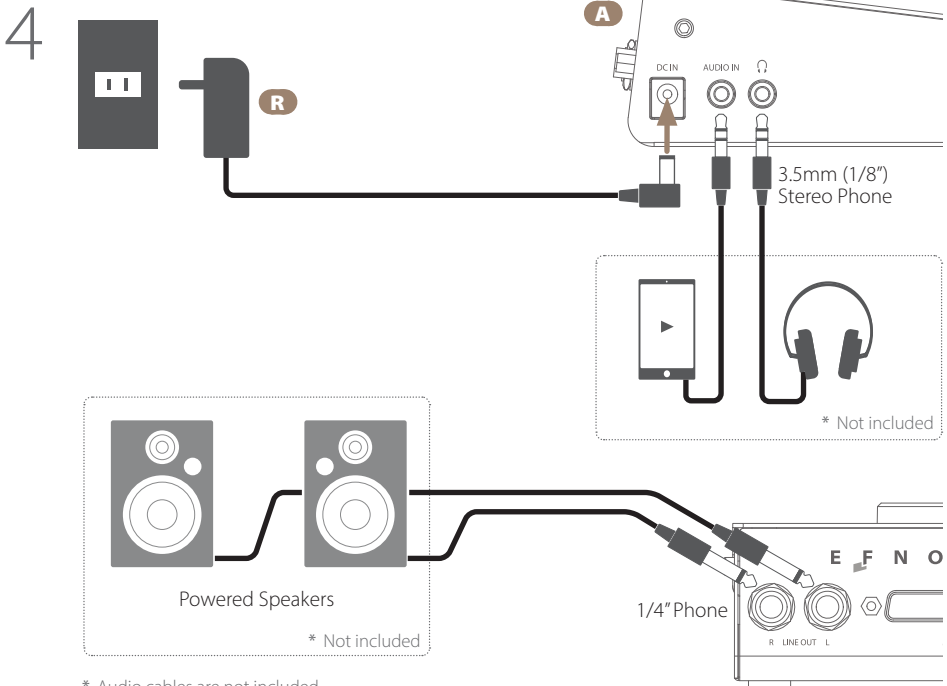


Connection



Firmly attach the included plug which is suitable for the outlet in your region.

* Use only the included AC adapter and plug.



* Not included

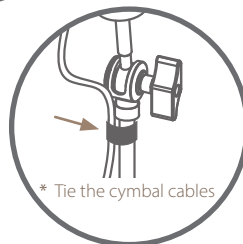
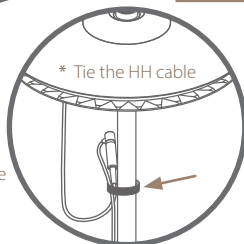
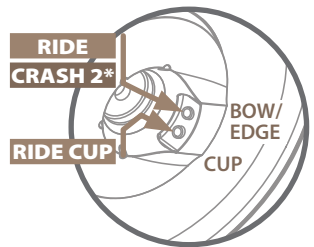
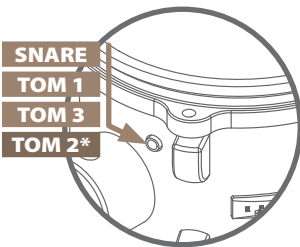
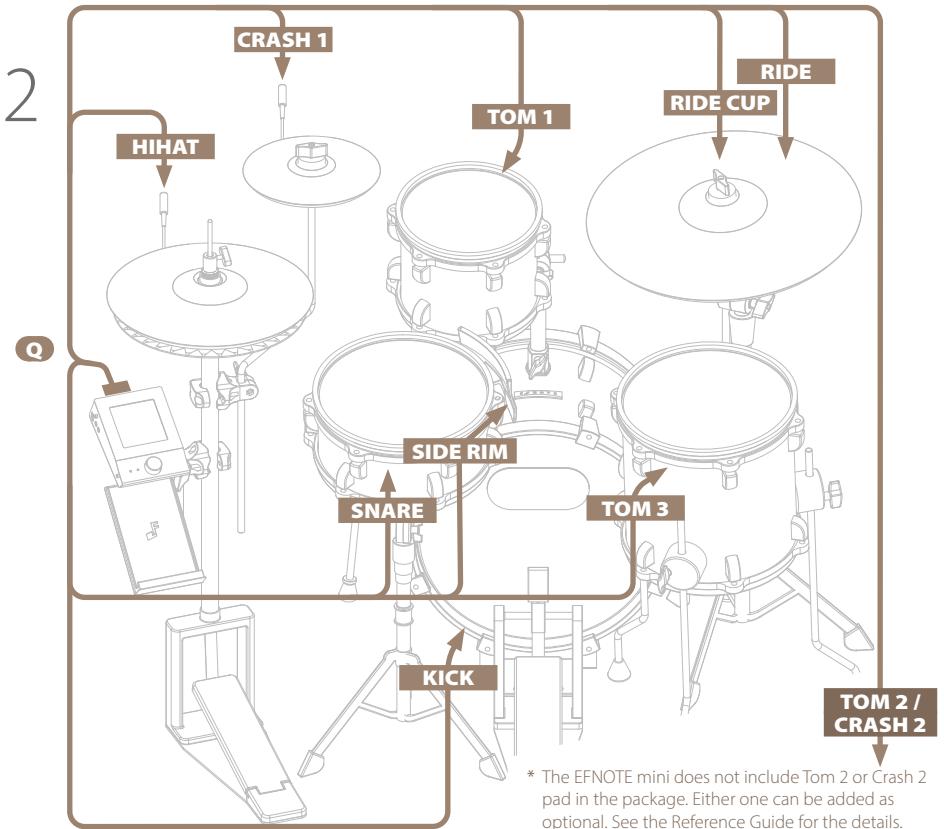
Powered Speakers

* Not included

1/4" Phone

E F N O
R LINE OUT L

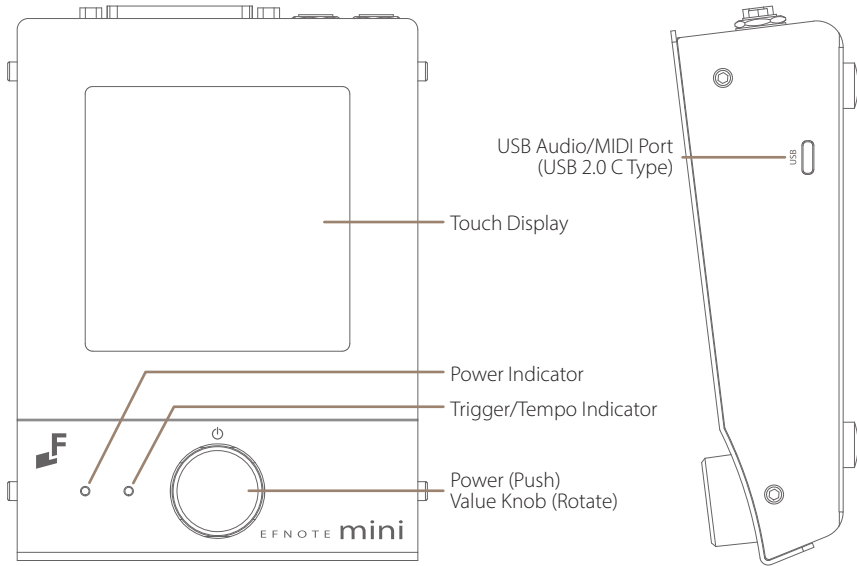
* Audio cables are not included.



* To avoid disconnecting the cables unexpectedly, tie the cables.

Basic Operation

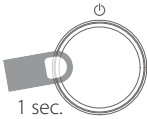
■ Panel Description



■ Power On/Off

Power On

1



2

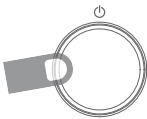


NOTE

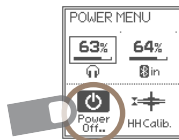
* After turning the power on, adjust the hi-hat before playing the drums to get the best playing feel (p. 15).

Power Off

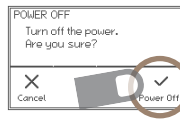
1



2



3



4

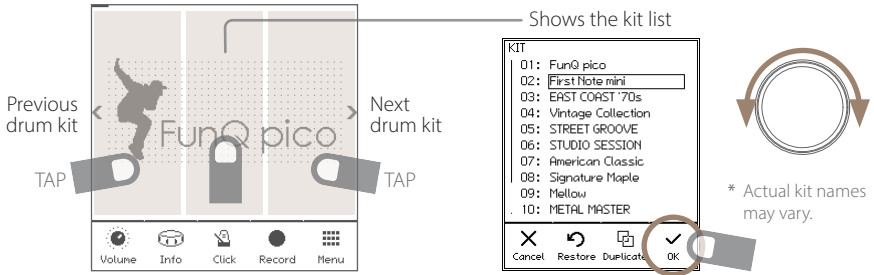


* Not doing this procedure may result in loss of changes.

* The power save function will turn power off automatically after specified period. It can be disabled (p. 17).

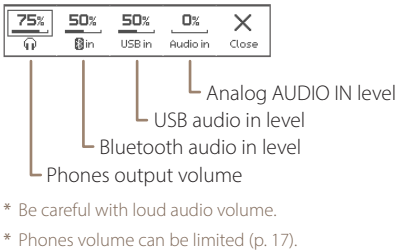
■ Home Screen

Switching drum kits

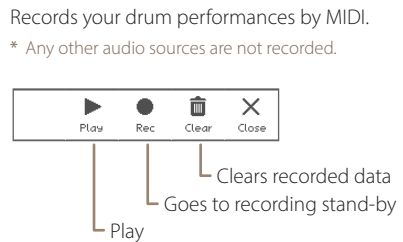


Widgets

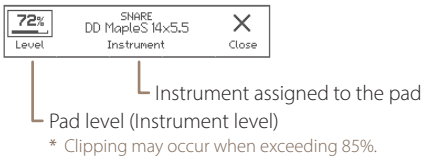
■ Volume



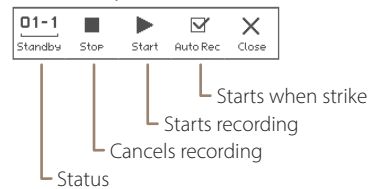
■ Recorder



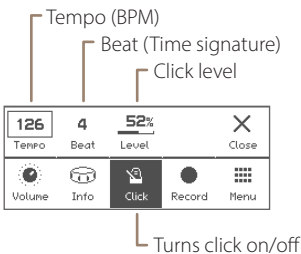
■ Inst Info



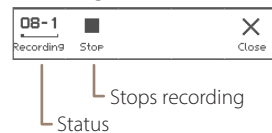
Rec Standby



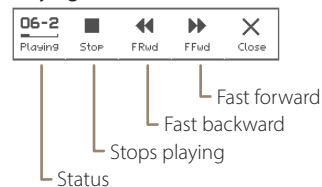
■ Click (Metronome)



Recording



Playing



CAUTION Be sure not to listen to audio at high volume. It can cause permanent hearing loss.

Menu



- Shows the pad level faders
- Changes instrument on each pad (p. 15)
- Edits drum kit



- Configures click setup
- Displays your strike points on timeline
- Estimates your strike accuracy

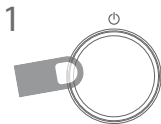


- Closes menu
- Shows the volume control
- Connects Bluetooth device (p. 16)
- Configures triggers (pads)
- Configures general settings

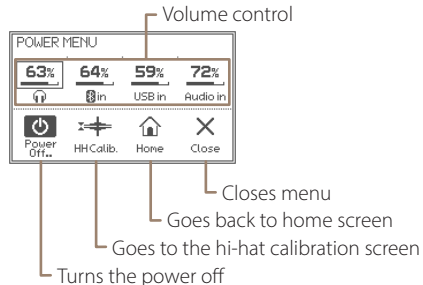
Detailed information about screens can be accessed from the menu, please refer to the "Reference Guide" PDF available on the web (p. 2).

Power Menu

You can access the power menu anytime.



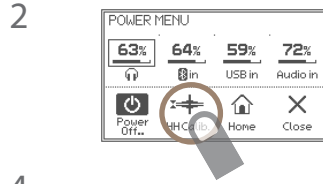
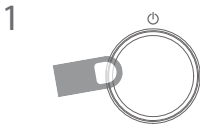
2



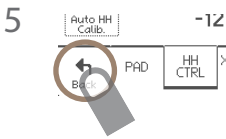
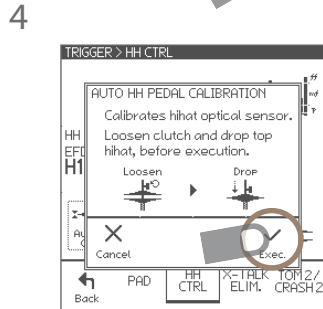
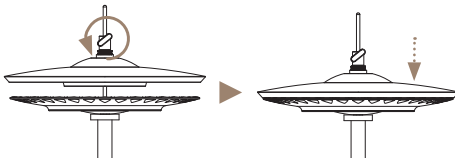
* Push the knob again to close the menu.

■ Adjusting the Hi-Hat (Auto Calibration)

Adjusting the hi-hat brings the best hi-hat playing feel.



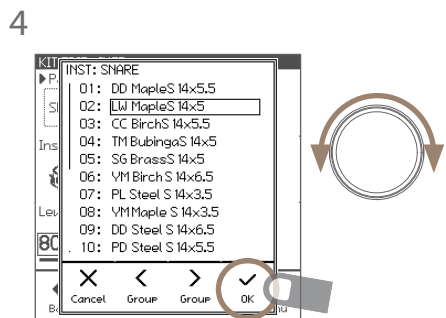
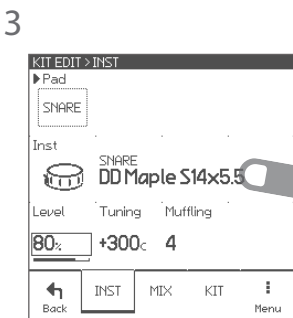
3
Drop the top hi-hat cymbal.



■ Changing the Instrument



2 Hit the pad you want to change its instrument.



* Actual instrument names may vary.

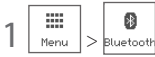
Instrument level, tuning (pitch), and muffling can be edited on this screen as well.
For the other edit parameters, see the reference guide (p. 2).

* Changes are saved automatically.

■ Connecting Your Smartphone with Bluetooth

You can connect your smartphone to the EFNOTE mini to listen to audio with Bluetooth.

Connecting



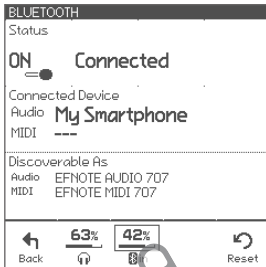
- 2 Make sure the status is "Ready to pair".
If the status is "OFF", tap it to turn on.



On your smartphone

- 3 Turn Bluetooth on.
- 4 Find new device discoverable as "EFNOTE AUDIO xxx" (xxx is any value), and select it.
- 5 If pin code is required, enter "0000" (four zeros).
- 6 Tap [Pair].

- 7 Make sure the status changes to "Connected", and your phone's name is displayed.



Controls Bluetooth
input volume

- 8 Now, you can listen to the audio playing on your smartphone.

* The sound may be loud, so please be careful with the volume setting.

* If you can't hear the sound, make sure your smartphone's volume is turned up.

CAUTION Be sure not to listen to audio at high volume. It can cause permanent hearing loss.

Disconnecting

- 1 Tap [Disconnect] on your smartphone.

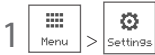
Re-connecting

- 1 Tap [Connect] on your smartphone.

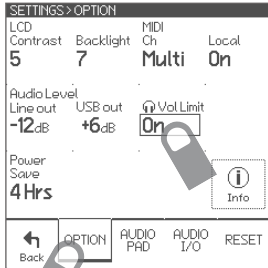
■ Limiting the Headphones Volume

This helps protect children's ears from loud audio volume.

When ON, the headphones volume setting is limited up to 70%.



2



3



When ON, the "70" icon is displayed near the volume setting.

CAUTION

* Even if the headphones volume is limited, the volume may be too loud depending on the headphones you use, or audio input level settings.

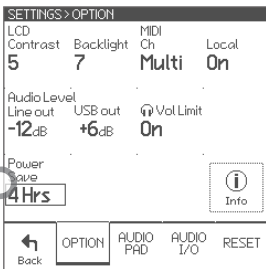
Please note that this feature does not guarantee the protection of children's ears.

■ Changing the Power Save Setting

This will turn the power off automatically after a specified inactive period.



2



3



When OFF, the module will not turn off automatically.

Specifications

Electronic Drum Kit: EFNOTE mini

Sound Module: EFD-MINI

Item	Specifications
Trigger Interface	<ul style="list-style-type: none"> • 3-Zone: Snare, Ride • 2-Zone: Tom 1/2*/3, HH, Crash 1/2* • 1-Zone: Kick <p>* The "TOM 2/CRASH 2" cable is a selectable input for either pad – Tom 2 or Crash 2. Tom 2 and Crash 2 cannot be connected at the same time. See the Reference Guide for the details. * Tom 2 or Crash 2 pad is not included.</p>
Audio / MIDI Interface	<ul style="list-style-type: none"> • Line (1/2) Output: 2x 1/4"TS Phone (+4dBu, Unbalanced) • Phones (3/4) Output: 3.5mm (1/8") Stereo Phone (320 mW + 320 mW @32Ω) • Audio Input: 3.5mm (1/8") Stereo Phone (+2dBu Max) • USB: C Type USB 2.0 Hi-Speed, Audio/MIDI USB Audio: 8-ch Output (48kHz/24bit) / 2-ch Input (48kHz/16bit), Mac/Windows ASIO • Bluetooth: Audio Input (A2DP), MIDI In/Out (Bluetooth Low Energy/GATT) Transmission Frequency: 2402--2480 MHz, Maximum Transmit Power: 2.5 mW EIRP
Recorder	<ul style="list-style-type: none"> • Resolution: 480 TPQN • Capacity: Approx. 8,000 Events
Power Supply	DC 12V, 600 mA
Dimensions / Weight	106 (W) x 144 (D) x 50 (H) mm / 675 g * Excluding protrusions

Pads and Accessories:

Item	Specifications
Kick (EFD-K1410)	<ul style="list-style-type: none"> • Size: 14 x 10" • Zone: Head • Sensor: Multi • Connector: Head (1/4"TRS Phone)
Snare (EFD-S1045)	<ul style="list-style-type: none"> • Size: 10 x 4.5" • Zone: Head / Rim / Side-Rim • Sensor: Multi • Connector: Head/Rim, Side-Rim (2x 1/4"TRS Phone)
Tom (EFD-T0865) Floor Tom (EFD-T1010)	<ul style="list-style-type: none"> • Size: 8 x 6.5" (Tom), 10 x 10" (Floor Tom) • Zone: Head / Rim • Sensor: Multi • Connector: Head/Rim (1/4"TRS Phone)
Hi-Hat (EFD-H12)	<ul style="list-style-type: none"> • Size: 12" (Top/Bottom) • Zone: Bow / Edge / Cup • Pad Sensor: Multi (360° flat sensing + choke) • Motion Sensor: Multi Optical • Connector: 6-pin <p>* EFNOTE mini sound module does not support hi-hat cup zone.</p>
Ride (EFD-C16)	<ul style="list-style-type: none"> • Size: 16" • Zone: Bow / Edge / Cup • Sensor: Multi (360° flat sensing + choke) • Connector: Bow/Edge, Cup (2x 1/4"TRS Phone)
Splash (EFD-C08)	<ul style="list-style-type: none"> • Size: 8" • Zone: Bow / Edge • Sensor: Multi (360° flat sensing + choke) • Connector: Bow/Edge (1/4"TRS Phone)
Accessories	<p>Multi Cable (EFD-MULTI-C), Snare Stand, Cymbal Stand, Splash Mount, Tom Mount, Module Mount, Beater Patch, Smartphone Tray, AC Adapter, Cable Ties, Tuning Key, Quickstart Guide</p> <p>* Kick pedal, hi-hat stand, drum throne, and sticks are not included. * USB cable is not included.</p>

* Specification and design are subject to change without prior notice.

■ Optional Components and Consumable Parts

Option	Item	Description
Adding a 2nd tom	EFD-T0865-WS	Rack Tom 8" (White Sparkle) * Using the "TOM 2/CRASH 2" cable.
	EFD-TM5	Tom Mount
Adding a crash cymbal	EFD-C14	Standard Cymbal 14" * Using the "TOM 2/CRASH 2" cable.
	EFD-CS5	Cymbal Stand
Upsizing the ride cymbal + Adding a crash cymbal	EFD-C18	Standard Cymbal 18" * Replacing the ride cymbal with the new 18", and using the 16" with "TOM 2/CRASH 2" cable.
	EFD-CS5	Cymbal Stand
Replacing the drum head	EFD-MDH08	Mesh Drum Head 8"
	EFD-MDH10	Mesh Drum Head 10"
	EFD-MDH14	Mesh Drum Head 14"
Replacing the beater patch	EFD-KBP2	Kick Beater Patch

* When any optional pad is added, configure the Tom 2/Crash 2 Selector and Pad model in the Trigger screen. See the Reference Guide for the details.

* Note that multiple options which use same cable cannot be applied.

Support

If you have any questions about the product, please visit the product support page on the web. Alternatively, please contact your local authorized distributor listed on the web below.

Product Support

<http://ef-note.com/support>

EFNOTE Authorized Distributor List

<http://ef-note.com/distributors>



Product Support



Distributors

E F N O T E

ef-note.com